

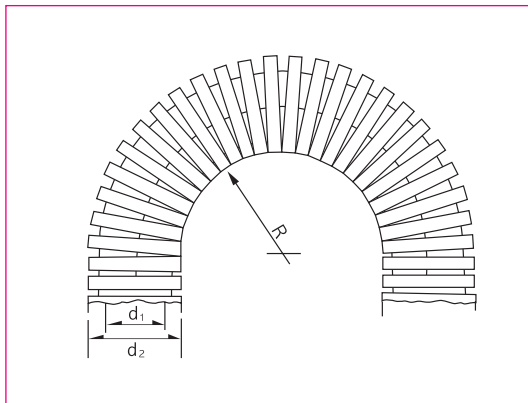
PPSS conduit is suitable for chemical machine, due to the excellent resistance to acid and alkali.

# PPSS

## CORRUGATED TUBE



- **Material:** Polypropylene(PP)
- **Construction:** Inside & Outside Corrugated all Plastic Hose
- **Temperature Range:** -15°C to + 60°C
- **Short Term:** up to +80°C
- **Color:** Black & Gray
- **Connections:** CPSFIX
- **Resistant to:** Acid, Alkali
- **Application:** Machine tool, Industrial Machinery Chemical Machinery etc.



- **재 질:** 폴리프로필렌(PP)
- **구조:** 내/외부 굴곡플라스틱 호스
- **적용온도범위:** -15°C + 60°C
- **순간최대온도:** +80°C
- **색 상:** 검정색, 회색
- **사용 커넥터:** CPSFIX
- **적 용:** 공작기계, 산업기계 화학기계(내산성, 내알카리성) 등.

Dimensions in mm

품 번 Order No.		최소내경 Inner Diameter (d1)	외 경 Outer Diameter (d2)	최소곡률반경 Bending Radius (R)mm±10%	포장단위 Packing meter/roll
Black	Gray				
PPSS-07B	PPSS-07G	6.4	10	15	50/100
PPSS-10B	PPSS-10G	9.6	13	20	50
PPSS-12B	PPSS-12G	11.8	15.8	30	50
PPSS-16B	PPSS-16G	15.9	21.2	40	50
PPSS-22B	PPSS-22G	21.7	28.5	45	50
PPSS-28B	PPSS-28G	27.8	34.5	55	50
PPSS-36B	PPSS-36G	36	42.5	60	30
PPSS-48B	PPSS-48G	46.5	54.5	70	30