

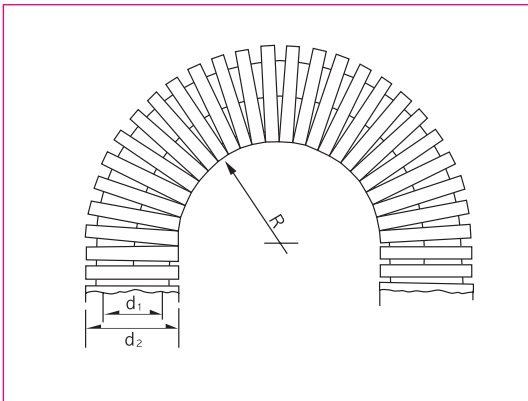
PES conduit is suitable for chemical machines, due to the excellent resistance to acid and alkali.

CORRUGATED TUBE

PES



- ➔ **Material:** Soft Polyethylene(PE)
- ➔ **Construction:** Inside & Outside Corrugated all Plastic Hose
- ➔ **Protective:** IP 68
- ➔ **Temperature Range:** -15°C to + 60°C
- ➔ **Short Term:** up to +80°C
- ➔ **Color:** Black & Gray
- ➔ **Connections:** CPSFIX
- ➔ **Resistant to:** Acid, Alkali
- ➔ **Application:** Machine tool, Industrial Machinery Chemical Machinery etc.



- ➔ **재 질:** 폴리에틸렌(PE)
- ➔ **구 조:** 내/외부 굴곡플라스틱 호스
- ➔ **방 수 등 급:** IP 68
- ➔ **적용온도범위:** -15°C + 60°C
- ➔ **순간최대온도:** +80°C
- ➔ **색 상:** 검정색, 회색
- ➔ **사 용 커넥 터:** CPSFIX
- ➔ **적 용:** 공작기계, 산업기계 화학기계(내산성, 내알카리성) 등.

Dimensions in mm

품 번 Order No.		최소내경 Inner Diameter (d1)	외 경 Outer Diameter (d2)	최소곡률반경 Bending Radius (R)mm±10%	포장단위 Packing meter/roll
Black	Gray				
PES-07B	PES-07G	6.4	10	15	50/100
PES-10B	PES-10G	9.6	13	20	50
PES-12B	PES-12G	11.8	15.8	30	50
PES-16B	PES-16G	15.9	21.2	40	50
PES-22B	PES-22G	21.7	28.5	45	50
PES-28B	PES-28G	27.8	34.5	55	50
PES-36B	PES-36G	36	42.5	60	30
PES-48B	PES-48G	46.5	54.5	70	30
PES-56B	PES-56G	56.3	67.2	110	30
PES-70B	PES-70G	70	82.5	160	10
PES-95B	PES-95G	91.5	106	210	10