

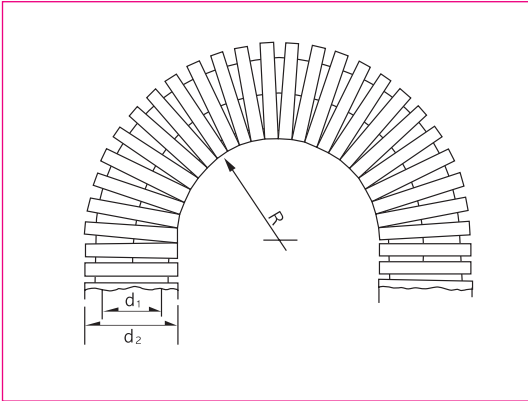
PAR conduit is suitable for the bending and rotating of robots.

PAR

CORRUGATED TUBE



- **Material:** High Quality Polyamide12
- **Construction:** Inside & Outside Corrugated all Plastic Hose
- **Protective:** IP 68
- **Temperature Range:** -50°C to + 95°C
- **Short Term:** up to +150°C
- **Self-Extinguishing:** UL94-V2, Halogen-Free
- **Color:** Black & Gray
- **Connections:** CPSFIX
- **Application:** Robots



- **재 질:** 고품질 폴리아미드12
- **구 조:** 내/외부 굴곡플라스틱 호스
- **방 수 등 급:** IP 68
- **적용온도범위:** -50°C + 95°C
- **순간최대온도:** +150°C
- **자기소화성:** UL94-V2, Halogen-Free
- **색 상:** 검정색, 회색
- **사용 커넥터:** CPSFIX
- **적 용:** 로봇

Dimensions in mm

품 번 Order No.			최소내경 Inner Diameter (d1)	외 경 Outer Diameter (d2)	최소곡률반경 Bending Radius (R)mm ± 10%	포장단위 Packing meter/roll
Black	Gray	UV-R				
PAR-07B	PAR-07G	PAR-07U	6.4	10	15	50/100
PAR-10B	PAR-10G	PAR-10U	9.6	13	20	50
PAR-12B	PAR-12G	PAR-12U	11.8	15.8	30	50
PAR-16B	PAR-16G	PAR-16U	15.9	21.2	40	50
PAR-22B	PAR-22G	PAR-22U	21.7	28.5	45	50
PAR-28B	PAR-28G	PAR-28U	27.8	34.5	55	50
PAR-36B	PAR-36G	PAR-36U	36	42.5	60	30
PAR-48B	PAR-48G	PAR-48U	46.5	54.5	70	30
PAR-56B	PAR-56G	PAR-56U	56.3	67.2	110	30
PAR-70B	PAR-70G	PAR-70U	70	82.5	160	10