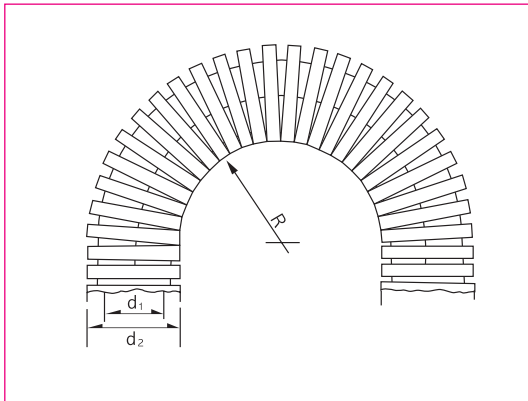


PAH conduit is made of high quality PA6 material and it has excellent flame retardant Vo grade in compliance with UL-94.

PAH

CORRUGATED TUBE



- **Material:** High Quality Polyamide6
- **Construction:** Inside & Outside Corrugated all Plastic Hose
- **Protective:** IP 68 acc.EN 60529
- **Temperature Range:** -40°C to + 105°C
- **Short Term:** up to +150°C
- **Self-Extinguishing:** UL94-Vo, Halogen-Free
- **Color:** Black & Gray
- **Connections:** CPSFIX
- **Application:** Machine tool, Shipbuilding, Tramway Industrial/ Automatic Machinery, Printing Machine etc.

➤ **International Specification:**

- **재 질:** 고품질 폴리아미드6
- **구 조:** 내/외부 굴곡플라스틱 호스
- **방 수 등 급:** IP 68 acc.EN 60529
- **적용온도범위:** -40°C + 105°C
- **순간최대온도:** +150°C
- **자기소화성:** UL94-Vo, Halogen-Free
- **색 상:** 검정색, 회색
- **사용 커넥터:** CPSFIX
- **적 용:** 공작기계, 산업기계, 자동화기계
조선소, 전동차 등

➤ **국 제 규 격:**

Dimensions in mm

품 번 Order No.			최소내경 Inner Diameter (d1)	외 경 Outer Diameter (d2)	최소곡률반경 Bending Radius (R)mm±10%	포장단위 Packing meter/roll
Black	Gray	UV-R				
PAH-07B	PAH-07G	PAH-07U	6.4	10	15	50/100
PAH-10B	PAH-10G	PAH-10U	9.6	13	20	50
PAH-12B	PAH-12G	PAH-12U	11.8	15.8	30	50
PAH-16B	PAH-16G	PAH-16U	15.9	21.2	40	50
PAH-22B	PAH-22G	PAH-22U	21.7	28.5	45	50
PAH-28B	PAH-28G	PAH-28U	27.8	34.5	55	50
PAH-36B	PAH-36G	PAH-36U	36	42.5	60	30
PAH-48B	PAH-48G	PAH-48U	46.5	54.5	70	30
PAH-56B	PAH-56G	PAH-56U	56.3	67.2	110	30
PAH-70B	PAH-70G	PAH-70U	70	82.5	160	10
PAH-95B	PAH-95G	PAH-95U	91.5	106	210	10