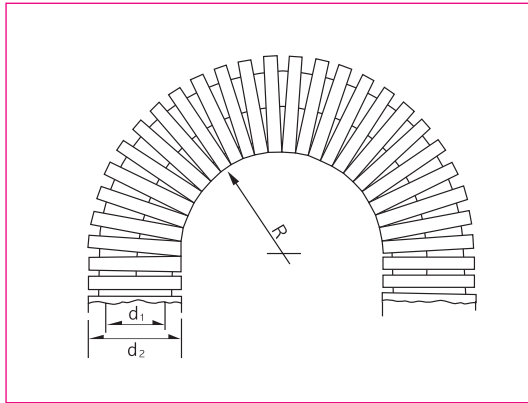


CPS conduit is popular for general use as it is flame-resistant up to UL94HB.

CORRUGATED TUBE

CPSS



- **Material:** High Quality Polyamide6
- **Construction:** Inside & Outside Corrugated all Plastic Hose
- **Temperature Range:** -40°C to + 105°C
- **Short Term:** up to +130°C
- **Self-Extinguishing:** UL94-HB, Halogen-Free
- **Color:** Black & Gray
- **Connections:** CPSFIX
- **Application:** Machine tool, Shipbuilding, Tramway Industrial/ Automatic Machinery Printing Machine etc.
- **International Specification:**

- **재 질:** 고품질 폴리아미드6
- **구 조:** 내/외부 굴곡플라스틱 호스
- **적용온도범위:** -40°C + 105°C
- **순간최대온도:** + 130°C
- **자 기 소 화 성:** UL94-HB, Halogen-Free
- **색 상:** 검정색, 회색
- **사 용 커넥 터:** CPSFIX
- **적 용:** 공작기계, 산업기계, 자동화기계 조선소, 전동차, 인쇄기계 등
- **국 제 규 격:**

Dimensions in mm

품 번 Order No.		최소내경 Inner Diameter (d1)	외 경 Outer Diameter (d2)	최소곡률반경 Bending Radius (R)mm±10%	포장단위 Packing meter/roll
Black	Gray				
CPSS-07B	CPSS-07G	6.4	10	15	50/100
CPSS-10B	CPSS-10G	9.6	13	20	50
CPSS-12B	CPSS-12G	11.8	15.8	30	50
CPSS-16B	CPSS-16G	15.9	21.2	40	50
CPSS-22B	CPSS-22G	21.7	28.5	45	50
CPSS-28B	CPSS-28G	27.8	34.5	55	50
CPSS-36B	CPSS-36G	36	42.5	60	30
CPSS-48B	CPSS-48G	46.5	54.5	70	30