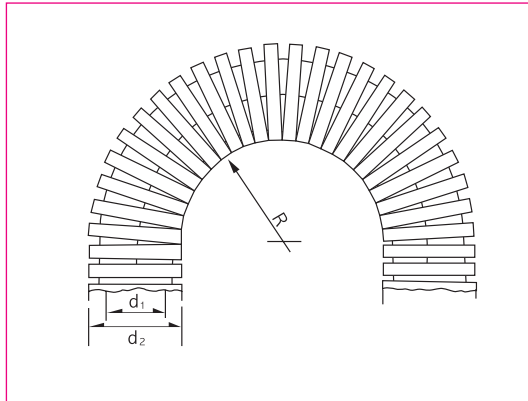


CPS conduit is popular for general use as it is flame-resistant up to UL94HB.

CORRUGATED TUBE

CPS



- Material: High Quality Polyamide6
- Construction: Inside & Outside Corrugated all Plastic Hose
- Protective: IP 68 acc.EN 60529
- Temperature Range: -40°C to + 105°C
- Short Term: up to +130°C
- Self-Extinguishing: UL94-HB, Halogen-Free
- Color: Black & Gray
- Connections: CPSFIX
- Application: Machine tool, Shipbuilding, Tramway Industrial/ Automatic Machinery Printing Machine etc.

International Specification:

- 재 질: 고품질 폴리아미드6
- 구조: 내/외부 굴곡플라스틱 호스
- 방수 등급: IP 68 acc.EN 60529
- 적용 온도 범위: -40°C + 105°C
- 순간 최대 온도: +130°C
- 자기소화성: UL94-HB, Halogen-Free
- 색상: 검정색, 회색
- 사용 커넥터: CPSFIX
- 적용: 공작기계, 산업기계, 자동화기계 조선소, 전동차, 인쇄기계 등

국제 규격:

Dimensions in mm

품 번 Order No.			최소내경 Inner Diameter (d1)	외 경 Outer Diameter (d2)	최소굴곡반경 Bending Radius (R)mm ± 10%	포장단위 Packing meter/roll
Black	Gray	UV-R				
CPS-07B	CPS-07G	CPS-07U	6.4	10	15	50/100
CPS-10B	CPS-10G	CPS-10U	9.6	13	20	50
CPS-12B	CPS-12G	CPS-12U	11.8	15.8	30	50
CPS-16B	CPS-16G	CPS-16U	15.9	21.2	40	50
CPS-22B	CPS-22G	CPS-22U	21.7	28.5	45	50
CPS-28B	CPS-28G	CPS-28U	27.8	34.5	55	50
CPS-36B	CPS-36G	CPS-36U	36.0	42.5	60	30
CPS-48B	CPS-48G	CPS-48U	46.5	54.5	70	30
CPS-56B	CPS-56G	CPS-56U	56.3	67.2	110	30
CPS-70B	CPS-70G	CPS-70U	70	82.5	160	10
CPS-95B	CPS-95G	CPS-95U	91.5	106	210	10